



CARATTERISTICHE ELETTRICHE / Electric characteristics

Tensione Nominale - Nominal Voltage	0/500 V_{ac} - 50/60 Hz
Tensione di prova fase/fase - Phase to phase test voltage	2600 V_{dc} (2 s)
Tensione di prova fase/terra - Phase to ground test voltage	3100 V_{dc} (2 s)
Categoria climatica - Climatic class	-25 / +85 °C



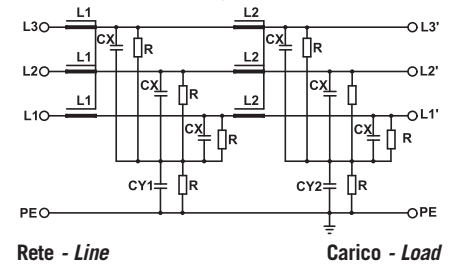
UL1283
CSA C22.2

* S.C.C.R. In according to UL508

FIN1900E FIN1900EG	Rated current 40°C (50°C)	Σ Cx (µF) ± 5%	Cy1 (nF) ± 5%	Cy2 (nF) ± 5%	L1/L2 (mH) ± 10%	S.C.C.R. (kA)	Max Fuse (200kA RK5 TD)	Pot. diss. (W) Power loss (W)
.007.M	7 (6)	20	1000	100	1.5	5*	10A 600 Vac	8
.013.M	13 (12)	20	1000	100	1.5	5*	15A 600 Vac	12
.018.M	18 (16)	20	1000	100	1.4	5*	45A 600 Vac	15
.027.M	27 (25)	20	1000	100	1.3	5*	45A 600 Vac	20
.034.M	34 (32)	20	1000	100	1.2	5*	50A 600 Vac	32
.040.M	40 (36)	20	1000	100	1.1	5*	50A 600 Vac	23
.055.M	55 (50)	20	1000	100	1.1	5*	100A 600 Vac	42
.070.M	70 (64)	20	1000	100	1	10*	90A 600 Vac	55
.100.M	100 (90)	20	1000	100	1	10*	125A 600 Vac	60
.110.M	110 (100)	20	1000	100	0,9	10*	125A 600 Vac	90
.130.M	130 (120)	20	1000	100	0,8	10*	175A 600 Vac	98
.150.M	150 (135)	20	1000	100	0,7	10*	175A 600 Vac	103
.200.M	200 (180)	20	1000	100	0,7	-	300A**	115
.230.M	230 (210)	20	1000	100	0,6	-	300A**	120

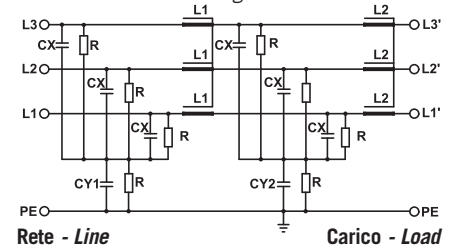
SCHEMA ELETTRICO FIN1900E

FIN1900E Electric diagram



SCHEMA ELETTRICO FIN1900EG

FIN1900EG Electric diagram



Corrente di fuga totale a 230 V fase verso terra a 50 Hz / 40°C
Total leakage current at 230 V phase to ground 50 Hz / 40°C

Nominale/Nominal <10mA

Condizione peggiore/Worst condition <80mA

**Max 10kA should be provided by branch circuit fuse or a circuit breaker that clears the overcurrent fault within 3 cycles

DIMENSIONI MECCANICHE (mm) / Mechanical dimensions (mm)

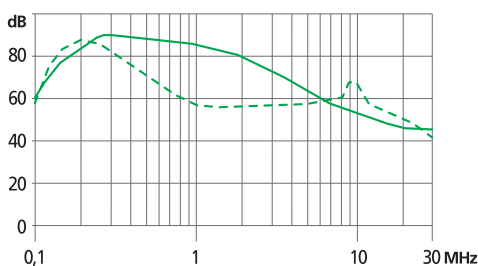
FIN1900E FIN1900EG	A	B	V	V1	F	H	I	L	N	d	Peso Kg Weight Kg
.007/.013/.018.M	140	50	19	11	6	226	200	7	28	M6	1,7
.027/.034/.040.M	140	50	19	15	6	226	200	7	28	M6	1,7
.055.M	177	70	19	35	6	295	265	8	44	M6	3,7
.070.M	177	70	19	33	6	295	265	8	44	M6	5,2
.100.M/.110.M	205	80	28,5	38	8	390	340	12	53	M10	6,5
.130.M/.150.M	205	80	28,5	43	8	390	340	12	53	M10	7,1
.200.M/.230.M	220	105	28,5	50	8	420	370	12	78	M10	8

DATI DI COLLEGAMENTO (mm²) / Terminal Block (mm²)

Morsetto Terminals	Cavo rigido Rigid Cable	Cavo flessibile Flexible Cable
K6	0.2 - 10	0.2 - 6
K6	0.2 - 10	0.2 - 6
K10	0.5 - 16	0.5 - 10
K16	0.5 - 25	0.5 - 16
K25	6 - 35	10 - 25
K50	16 - 50	16 - 50
K95	25 - 95	35 - 95

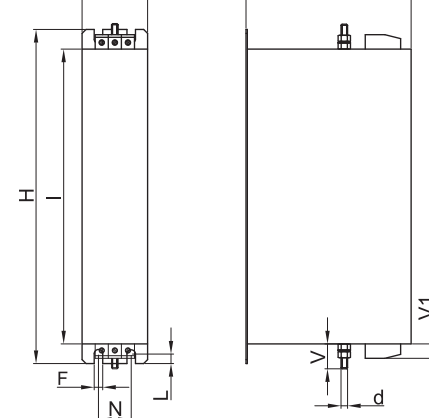
ATTENUAZIONE / Insertion loss

— Common Mode — Differential Mode



CUSTODIA

Case



ASSEMBLAGGIO

Assembling

